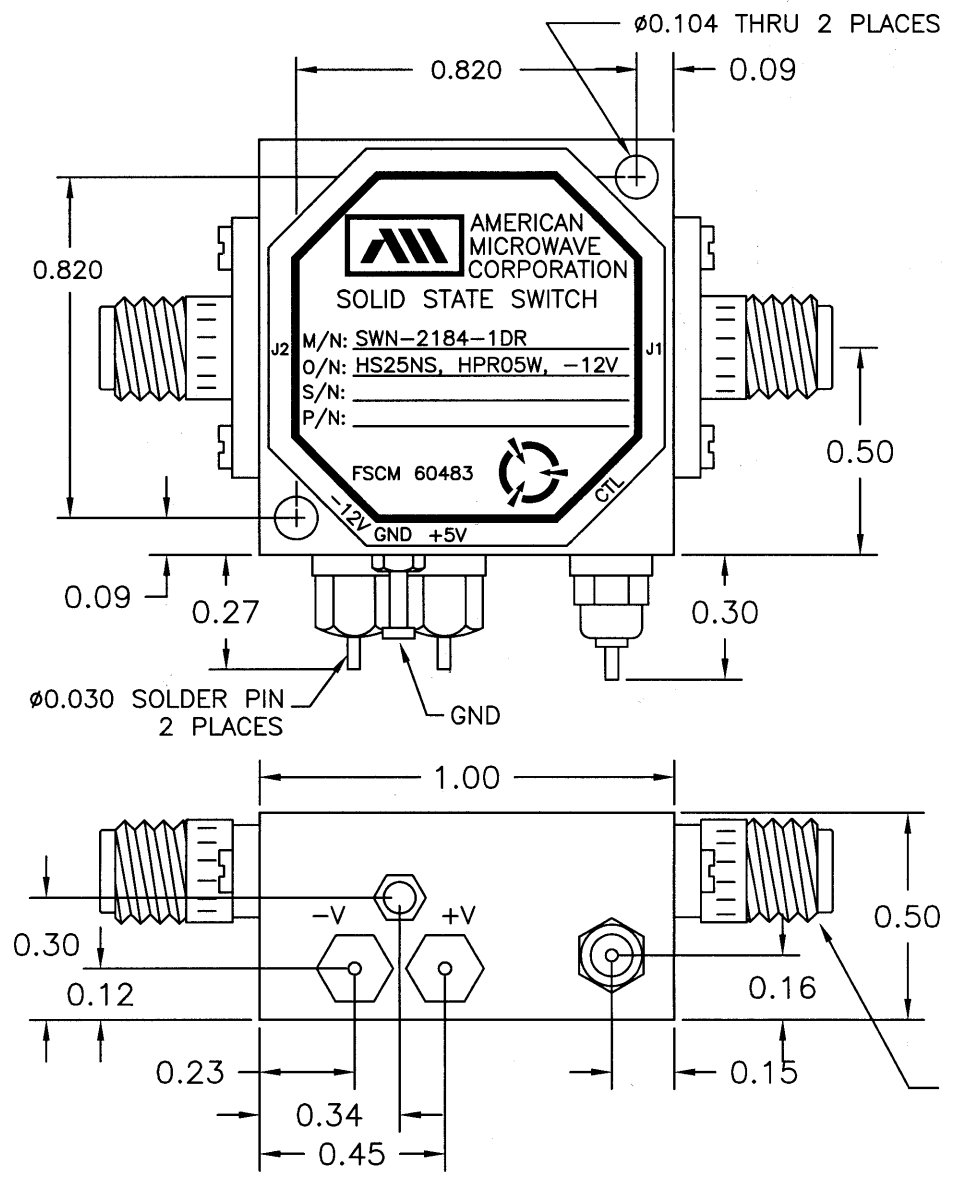


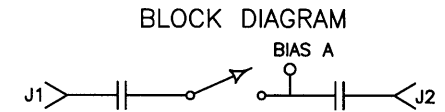
# DESCRIPTION

AMC MODEL SWN-2184-1DR OPTION: HS25NS, HPR05W, -12V IS A HIGH SPEED, REFLECTIVE SINGLE POLE SINGLE THROW SWITCH DESIGNED TO OPERATE OVER THE FULL 2 TO 18 GHz FREQUENCY RANGE WITH 0.5 WATT POWER HANDLING.

REVISIONS				
ZONE	REV.	DESCRIPTION	DATE	APPROVED
	-	ORIGINAL RELEASE JOB# 502040	2/11/05	



## MECHANICAL OUTLINE



MOUNTING SURFACE  
GP=GOLD PLATED  
P=PAINTED

## AMERICAN MICROWAVE CORPORATION

7311-G GROVE ROAD  
FREDERICK, MARYLAND 21704 USA  
TEL: 301-662-4700 FAX: 301-662-4938  
WEBSITE: [www.americanmicrowavecorp.com](http://www.americanmicrowavecorp.com)  
E-MAIL: [sales@americanmicrowavecorp.com](mailto:sales@americanmicrowavecorp.com)  
ISO 9001:2000 CERTIFIED



ALL DIMENSIONS ARE IN INCHES  
TOLERANCES:  
X.XX ±0.020  
X.XXX ±0.010

APPROVALS		DATE	TITLE		
DRAWN <i>gdf</i>		2/11/05	MECHANICAL OUTLINE SWN-2184-1DR OPTION: HS25NS, HPR05W, -12V 2 - 18 GHz, SINGLE POLE SINGLE THROW SWITCH		
CHECKED			SIZE A	FSCM NO. 60483	DWG NO. 100-7335
ISSUED			SCALE N:S		SHEET 2 OF 3

## DESCRIPTION

AMC MODEL SWN-2184-1DR OPTION: HS25NS, HPR05W, -12V IS A HIGH SPEED, REFLECTIVE SINGLE POLE SINGLE THROW SWITCH DESIGNED TO OPERATE OVER THE FULL 2 TO 18 GHz FREQUENCY RANGE WITH 0.5 WATT POWER HANDLING.

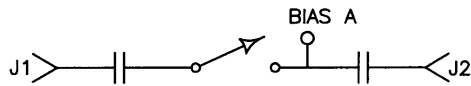
## SPECIFICATIONS

- FREQUENCY RANGE: ..... 2 TO 18 GHz
- INSERTION LOSS: ..... 2.5 dB MAXIMUM
- ISOLATION: ..... 70 dB MINIMUM
- VSWR: ..... 2.0:1
- DELAY ON: ..... 25 nSec MAXIMUM
- DELAY OFF: ..... 25 nSec MAXIMUM
- POWER HANDLING: ..... 1 WATT CW, 10 WATTS PEAK 1 uSec
- CONTROL: ..... TTL LOGIC "0" = ON  
TTL LOGIC "1" = OFF
- POWER SUPPLY: ..... +5V @ 100 mA MAXIMUM  
-12V @ 50 mA MAXIMUM
- CONNECTORS:  
RF: ..... SMA FEMALE  
CONTROL: ..... SOLDER PIN
- SIZE: ..... 1.00" (L) x 1.00" (W) x 0.50" (H)

## OPTIONS:

- HS25NS: ..... HIGH SPEED 25 nSec
- HPR05W: ..... 0.5 WATT HIGH POWER HANDLING
- -12V: ..... -12V POWER SUPPLY

BLOCK DIAGRAM



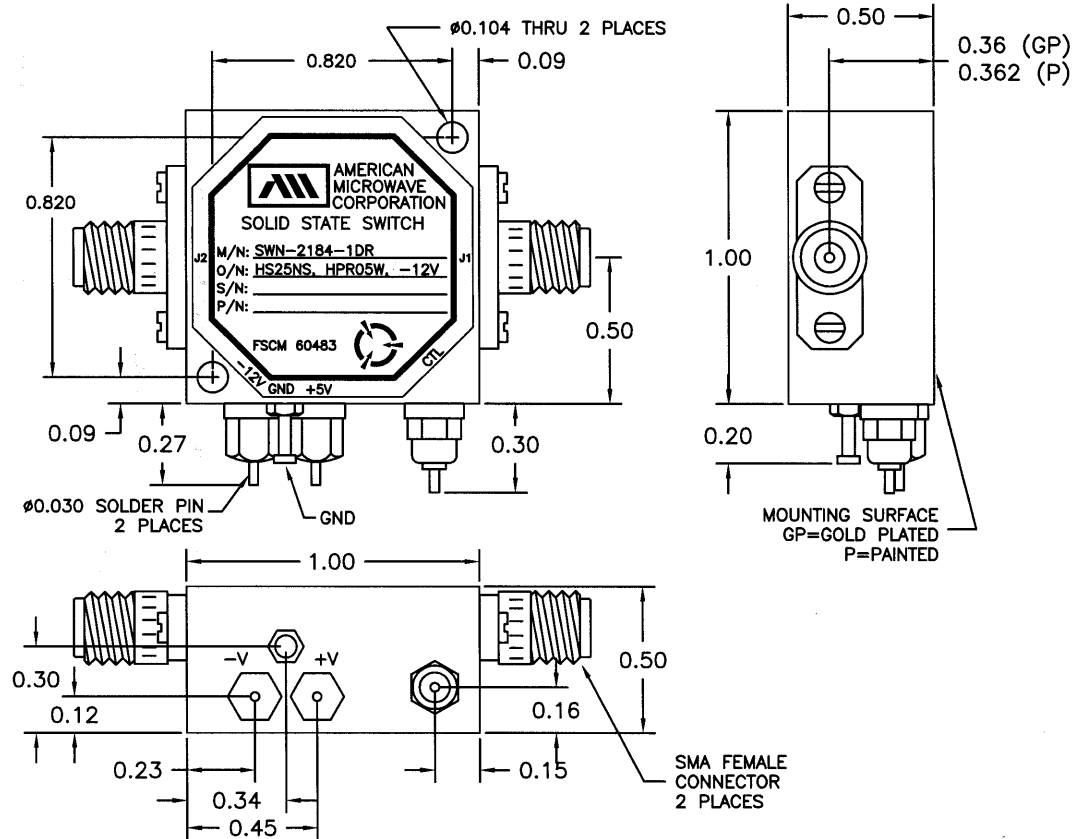
## ENVIRONMENTAL RATINGS:

- TEMPERATURE: ..... -55°C TO +85°C (OPERATING)  
-65°C TO +125°C (STORAGE)
- HUMIDITY: ..... MIL-STD-202F, METHOD 103B COND. B
- SHOCK: ..... MIL-STD-202F, METHOD 213B COND. B
- VIBRATION: ..... MIL-STD-202F, METHOD 204D COND. B
- ALTITUDE: ..... MIL-STD-202F, METHOD 105C COND. B
- TEMPERATURE CYCLE: ..... MIL-STD-202F, METHOD 107D COND. A

NOTE: SPECIFICATIONS WILL VARY OVER OPERATING TEMPERATURE  
NOTE: THE ABOVE SPECIFICATIONS ARE SUBJECT TO CHANGE OR REVISION

ALL DIMENSIONS ARE IN INCHES  
TOLERANCES:  
X.XX ±0.020  
X.XXX ±0.010

REV. NO.		DESCRIPTION	DATE	APPROVED
ZONE	REV.			
-		ORIGINAL RELEASE JOB# 502040	2/11/05	



## AMERICAN MICROWAVE CORPORATION

7311-G GROVE ROAD  
FREDERICK, MARYLAND 21704 USA  
TEL: 301-662-4700 FAX: 301-662-4938  
WEBSITE: [www.americanmicrowavecorp.com](http://www.americanmicrowavecorp.com)  
E-MAIL: [sales@americanmicrowavecorp.com](mailto:sales@americanmicrowavecorp.com)  
ISO 9001:2000 CERTIFIED



APPROVALS		DATE	TITLE	
DRAWN	JDJ	2/11/05	PRODUCT FEATURE SWN-2184-1DR OPTION: HS25NS, HPR05W, -12V 2 - 18 GHz, SINGLE POLE SINGLE THROW SWITCH	
CHECKED			SIZE	FSCM NO.
ISSUED			A	60483
			DWG NO.	REV.
			100-7335	-
			SCALE N:S	SHEET 1 OF 3